

ITOKI ^{design}

DP chair

A close-up, high-angle photograph of a modern chair's backrest and seat junction. The chair is a light grey color and features a curved, ergonomic design. The backrest is on the left, curving downwards to meet the seat on the right. The seat has a distinct, angular shape with a recessed area. The lighting is dramatic, highlighting the smooth curves and sharp edges of the chair against a dark background.



At once classic and contemporary, this meeting chair of generous proportion joins two plyform shells for great comfort. Equally functional as it is elegant, the DP chair is a distinct design that feels right in a multitude of settings.

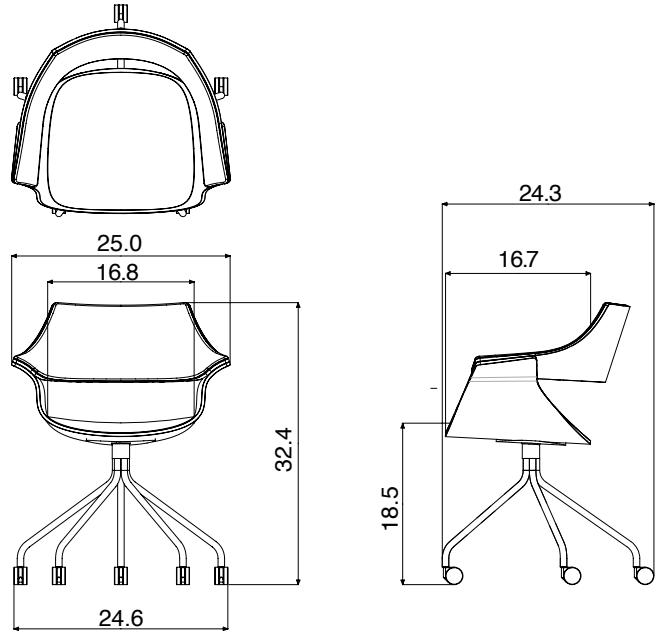
Following Itoki Design's philosophy, the DP chair crosses the boundaries between office and home / work and relaxation.

Available in walnut, maple or painted veneer finish and with cushions in complimentary colored fabrics or luxurious leather. The fixed or swivel base accepts casters or feet.



DIMENSIONS

Inches 25w X 24.3d X 32.4h



SPECIFICATIONS

Part / Order no.	Description
DP300-□□△△	4 leg base
DP305-□□△△	4 leg base / Leather
DP310-□□△△	4 leg base / No backrest cushion
DP315-□□△△	4 leg base / No backrest cushion / Leather
DP320-□□△△	5 leg caster base
DP325-□□△△	5 leg caster base / Leather
DP330-□□△△	5 leg caster base / No backrest cushion
DP335-□□△△	5 leg caster base / No backrest cushion / Leather

□□ Shell color

BK black	WH white	MP maple	WA walnut
--------------------	--------------------	--------------------	---------------------

Base color

black	white	chrome	chrome
-------	-------	--------	--------

△△ Fabric color

For 300
310
320
330

BK black	BR brown	GY grey	KH khaki
BU blue	GN green	RE red	PL plum

Leather color

For 305
315
325
335

BK black	WH white	BR brown
--------------------	--------------------	--------------------



Materials

Steel / Plywood

www.itokidesign.com